

AIRTECH

AIRTECH SYSTEM CO., LTD.

Head Office / Factory I

NO.58-1, GUANGFU ROAD, HSINCHU INDUSTRIAL PARK.
HSINCHU COUNTY 303-51, TAIWAN
[TEL]+886-3-6105668 [FAX]+886-35972734

Factory II

NO.84, GUANGFU NORTH ROAD, HSINCHU INDUSTRIAL PARK.
HSINCHU COUNTY 303-51, TAIWAN

Business Contents

Design, manufacture and sales of total cleanroom equipment, Air Shower, Air Curtain, Clean Booth, Clean Bench, Cleaning Unit, Biosafety Cabinet, Fan Filter Unit, Fume Hood, Hand Washer Dryer, H₂O₂ Generator, Isolator, Pass Box, RABS, TCC, Biohazard System, etc.

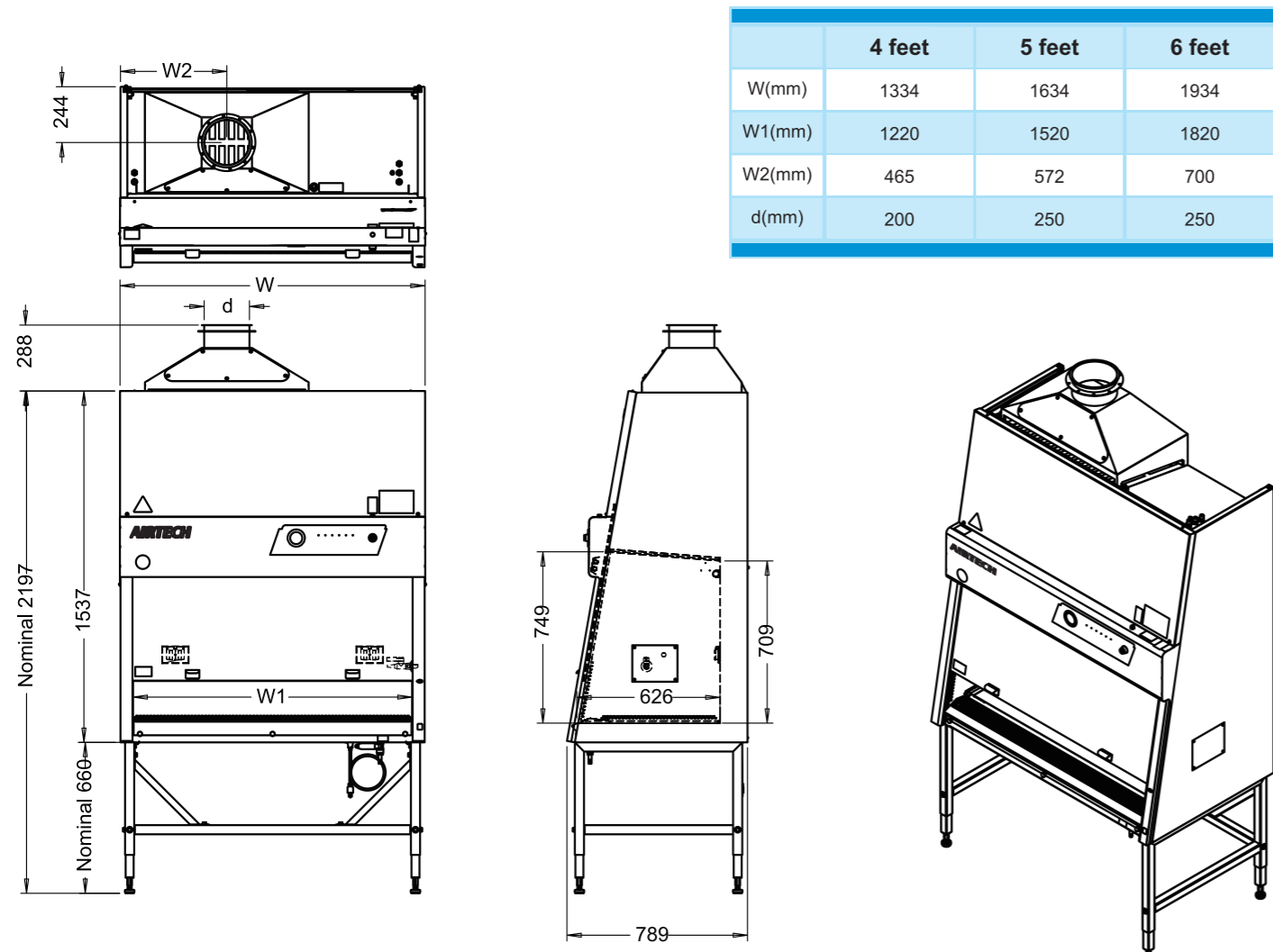


Biological Safety Cabinets

The First-rate Protection for Operators, Products and Environment



Cabinet Dimension Drawings




	4 feet	5 feet	6 feet
W(mm)	1334	1634	1934
W1(mm)	1220	1520	1820
W2(mm)	465	572	700
d(mm)	200	250	250

AIRTECH Biological Safety Cabinets

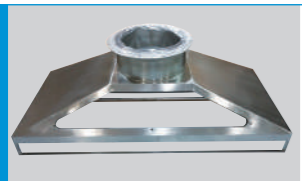
Class II type A2

Specification			
Model	4 feet	5 feet	6 feet
International Certification	• EN 12469 • ISO 9001:2015	• EN 12469 • ISO 9001:2015	• EN 12469 • ISO 9001:2015
External Dimensions W×D×H (without support stand 660 mm)	1334×789×1537 mm	1634×789×1537 mm	1934×789×1537 mm
Internal Dimensions W×D×H	1220×626×709 mm	1520×626×709 mm	1820×626×709 mm
Cabinet Main Construction	<ul style="list-style-type: none"> Working area: Stainless Steel#304 (Option: Viro-cut stainless steel, SUS#316) External construction: Cold-rolled steel with powder coating finish 		
Air Flow	70% re-circulated / 30% exhausted		
Window Operation Height	20 cm		
Avg. Inflow Velocity	0.51 m/s		
Avg. Downflow Velocity	0.30 m/s	0.30 m/s	0.30 m/s
Exhaust Air Volume with Exhaust Canopy	11m ³ /min (20cm)	14m ³ /min (20cm)	17m ³ /min (20cm)
Supply/Exhaust HEPA Filter	99.99% @0.3 micron (Class H14)		
Light Intensity	> 1,000 lux		
Sound Level	< 57dBA (20cm)	< 59dBA (20cm)	< 61dBA (20cm)
UV Lamp	254 nm/ FL 30W×1	254 nm/ FL 40W×1	254 nm/ FL 20W×2
Fluorescent Lamp	T5/28W×2	T5/35W×2	T5/21W×4
Window Glass	6mm tempered glass		
Electrical Outlets	North America (UL Listed), Europe/Worldwide (CE Certified)		
Optional Accessories	<ul style="list-style-type: none"> IV bar with 6 hooks / hanging basket Service valves(air, gas, vacuum) , CSA Certified Exhaust canopy Brake casters Moveable elbow / arm rest 		
Room Height Suggested	227cm at least		
Power	115V / 15A		
Consumption	230V / 10A 100V / 15A	230W (20cm)	380W (20cm) 430W (20cm)
Net Weight	240 kg	280 kg	320 kg
Shipping Weight	280 kg	320 kg	370 kg
Shipping Dimensions W×D×H	1400×850×1950±30mm	1700×850×1950±30mm	2000×850×1950±30mm

Quality Components & Accessories




IV Bar & Hanging Basket
The cabinet can be equipped with an SUS#304 Intravenous (IV) Bar and Basket to facilitate the hanging of required materials.



Exhaust Canopy
SUS#304 Canopy provides air gaps on 4 sides to allow air to enter the ductwork and mix with the filtered exhaust air released into the atmosphere. It expands the use of Class II type A2 BSCs to work with small amounts of volatile chemicals and radionuclides adjunct to microbiological studies.



Moveable Elbow / Arm Rest
The SUS#304 Moveable Elbow / Arm Rests (set of two) provide ergonomic forearm support, comfortable working posture and prevent grille blocking.



Brake Casters
Available with a set (4) of 4" diameter, toe-locking polypropylene casters with bearings. Loading capacity for each caster is 140 kg. The casters can be directly installed on the telescoping support stand.

Ordering Guide—Model Number

Cabinet Model	4 feet	5 feet	6 feet	Window Position
Touch Screen / 115V,60Hz	AHA-133-AA-A	AHA-163-AA-A	AHA-193-AA-A	20 cm
	AHA-133-AA-B	AHA-163-AA-B	AHA-193-AA-B	25 cm
Touch Screen / 230V,50/60Hz	AHA-133-AB-A	AHA-163-AB-A	AHA-193-AB-A	20 cm
	AHA-133-AB-B	AHA-163-AB-B	AHA-193-AB-B	25 cm
Touch Screen / 100V, 50/60Hz	AHA-133-AC-A	AHA-163-AC-A	AHA-193-AC-A	20 cm
	AHA-133-AC-B	AHA-163-AC-B	AHA-193-AC-B	25 cm
Membrane Switch / 115V,60Hz	AHA-133-CA-A	AHA-163-CA-A	AHA-193-CA-A	20 cm
	AHA-133-CA-B	AHA-163-CA-B	AHA-193-CA-B	25 cm
Membrane Switch / 230V,50/60Hz	AHA-133-CB-A	AHA-163-CB-A	AHA-193-CB-A	20 cm
	AHA-133-CB-B	AHA-163-CB-B	AHA-193-CB-B	25 cm
Membrane Switch / 100V, 50/60Hz	AHA-133-CC-A	AHA-163-CC-A	AHA-193-CC-A	20 cm
	AHA-133-CC-B	AHA-163-CC-B	AHA-193-CC-B	25 cm