

AIRTECH

Cleanroom Equipment for the Food Industry

Catalogue of equipment
corresponding to HACCP principles

Vol. 13

Technology Integration Era of "Advanced Clean Environment"



Clean air system is required for every scene in various fields. AIRTECH provides a wide variety of reliable products from multilateral viewpoints, and meet the needs of times.

In the fields of electronics industry, bio-industry, food industry, pharmacy and others, as the sophistication of R&D, manufacture, storage and physical distribution have been advanced recently, clean "AIR SYSTEM" is required strongly in order to realize sterility, bio-safety, precision and purity at a high level of quality. Depends on the relation among biotechnology, electronics and the people's lives, AIRTECH copes with the needs of times accurately with our specialized technologies and unique know-how which are accumulated for a long time. Through realizing high-degree cleanliness space, AIRTECH keep trying to contribute to society in the future.

A photograph of four children running away from the camera in a lush green field under a clear blue sky. They are wearing colorful backpacks and holding small orange and white pinwheels. The child on the far left is a boy with a large black and green backpack. The other three are girls with smaller backpacks in blue, red, and light blue. The scene is bright and cheerful, symbolizing a clean and healthy environment.

Clean Air Innovation

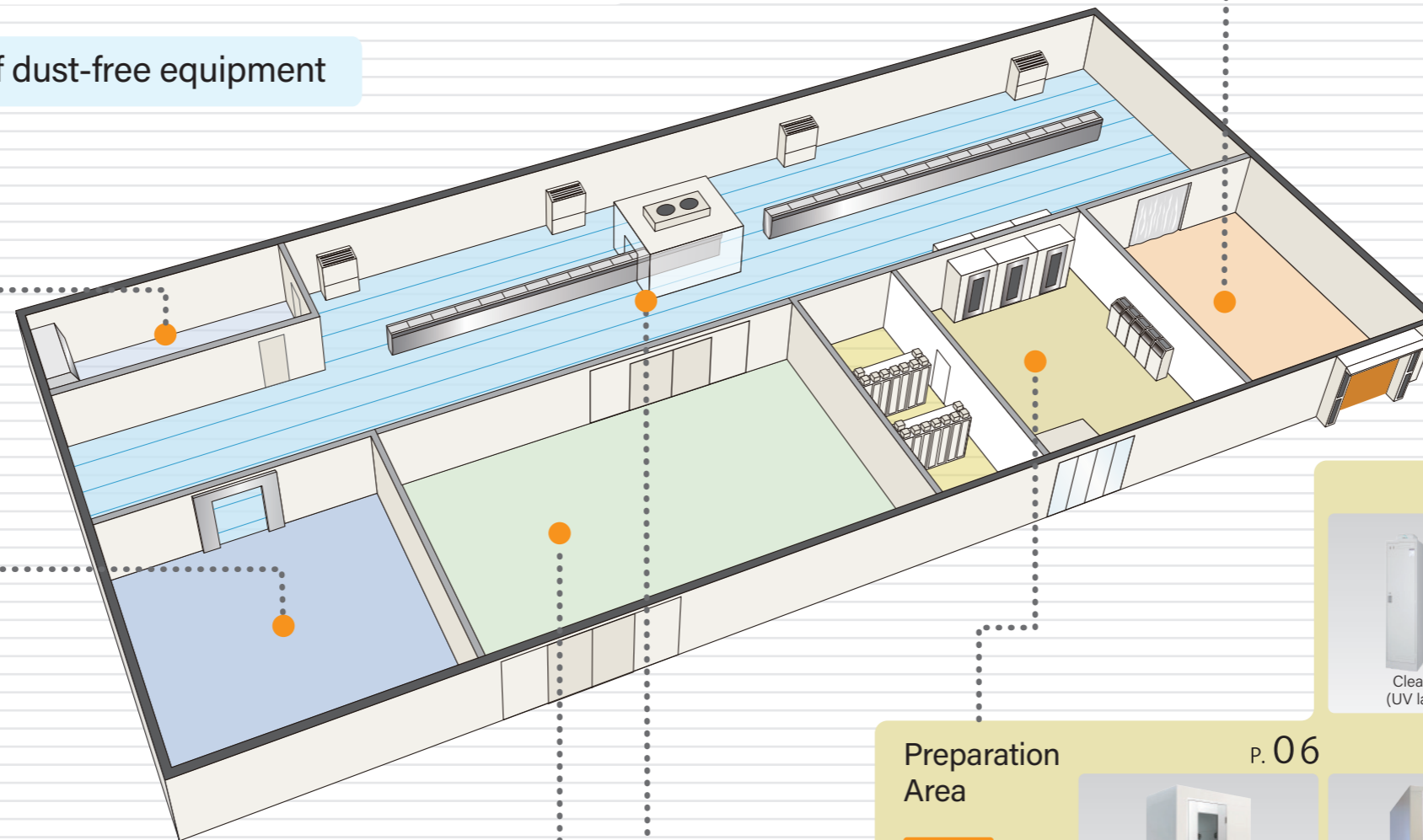
Tackling the ultra clean space challenges — AIRTECH SYSTEM (ATS)

Cleanroom Equipment for the Food Industry

The safety of food is vital for life.

In recent years, food hygiene and safety have gradually attract attention, and it is essential for the food industry to ensure that the food safety and reliability. In addition, insect repellent measures to prevent mosquito contamination are needed. Through the introduction, make full use of all kinds of compatible equipment of Japan's AIRTECH clean technology, which is applied for various working areas of the production line of the food factory, from the pre-operator operation area to the processing, quality inspection and cold preservation, post-finished product packaging and shipment etc. Create a dust-free environment space in the factory.

Examples of dust-free equipment



* The aerial view above is a schematic diagram of the clean equipment configuration.

Quality Inspection Area p. 09



Desktop Clean Bench (KVM)

Cold Storage Area p. 05



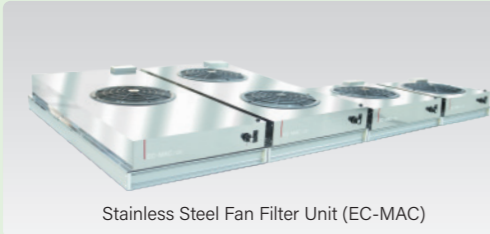
Air Curtain for cold storage

Packing Area p. 10



Clean Booth (ACB)

Finished Product Area



Stainless Steel Fan Filter Unit (EC-MAC)



Self Assembly Air Shower

Receiving Area



Insect-proof Air Curtain



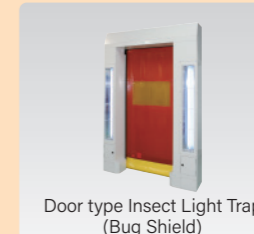
Insect-proof Air Curtain (Shutter door type)



Insect-proof Air Curtain (Single-sided blowing type)

p. 03

p. 03



Door type Insect Light Trap (Bug Shield)

p. 07



Shower Pass Box

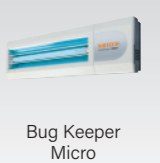
p. 04



Bug Keeper (Insect Light Trap)



Bug Keeper Mini



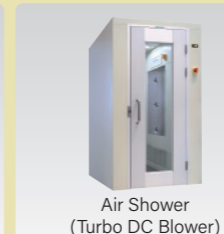
Bug Keeper Micro

Preparation Area



Liquid Spray Air Shower

p. 06



Air Shower (Turbo DC Blower)

p. 07



Clean Hand Dryer (AHD)

p. 08



Clean Hand Washer Dryer (AHD)

p. 09

Pre-processing Area



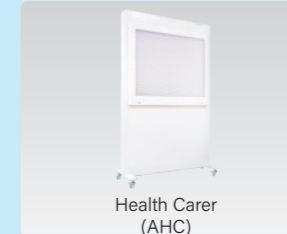
Clean Booth (ACB)

p. 10



Portable Clean Bench (APC)

p. 09



Health Carer (AHC)

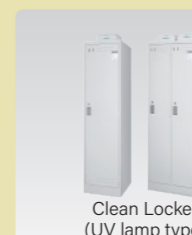
p. 12



Packaged Type Clean Unit (PAU)

p. 11

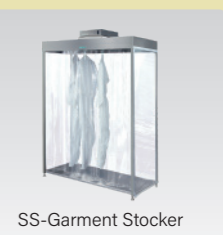
p. 11



Clean Locker (UV lamp type)



Garment Stocker



SS-Garment Stocker

Insect-proof Air Curtain

In the manufacturing process of food, pharmacy, and cosmetics, it exerts the ability to prevent the invasion of insects and foreign bodies.

In addition to the general type, fast rolling door type, and single sided blowing type, these models are also suitable for you.



INSECT-PROOF AIR CURTAIN



FAST SHUTTER DOOR AIR CURTAIN

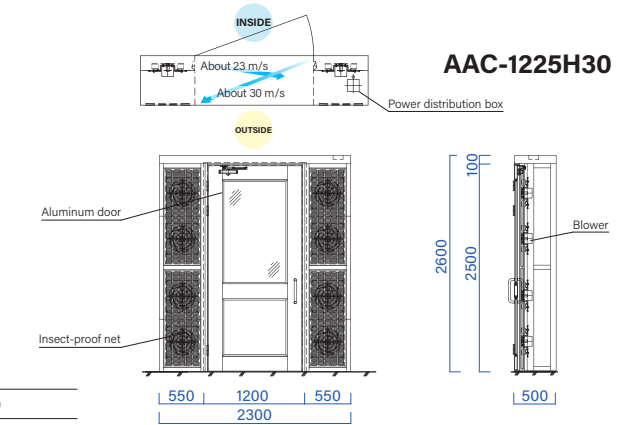
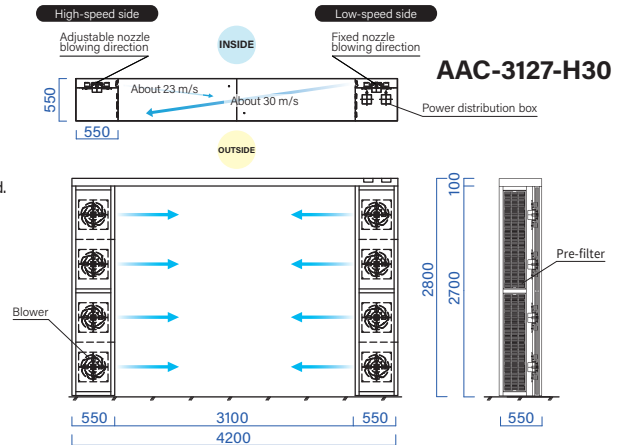
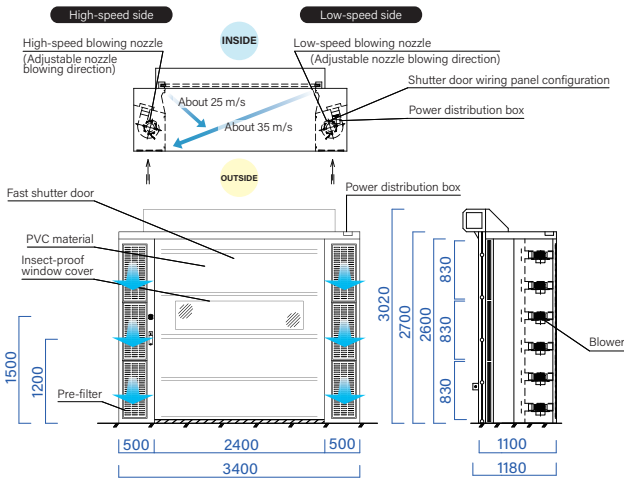


SINGLE-SIDED INSECT-PROOF AIR CURTAIN

*** Patent acquisition**

- Adopt high-efficiency and energy-saving DC brushless turbofan.
- Turbulent flow system achieves high insect repellent effect.
- The interlocking of fast shutter door and air curtain can save energy and reduce the installation cost.
- The shutter door has an anti-damage mechanism.
- According to the environment, the blowing position can be changed between high speed and low speed.

AAC-2426-H35



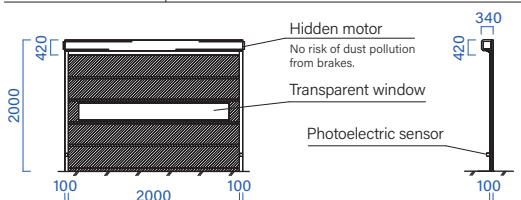
Model	AAC-3127-H30	AAC-2426-H35	AAC-1225H30
Dust Collection Elements	Nylon filter		
Air Volume(CMM)	About 125	About 130	About 116
Air Velocity(m/s)	High-speed: About 30 Low: About 23	High-speed: About 35 Low: About 25	High-speed: About 30 Low-speed: About 23
Electrical	AC220V 3ø 50/60Hz	AC220V 1ø 60Hz	AC380V 3ø 50Hz
Power Consumption(VA)	About 7760	About 13750	About 8000
Blower	8	11	8
Weight(kg)	About 300	About 410	About 250
Structure	Baking Enamel Steel Plate		

* The blower (LNF-6D) is a DC brushless turbofan.

Fast shutter door specifications

Door material	PVC (composite material), the only transparent window in the center.
Door rail material	Baking Enamel Steel Plate
Actuation speed(m/s)	Rise : 1.0 / Drop : 0.5
Safety device	Photoelectric safety device.
External power supply	AC 220V 3ø 60Hz
Motor power(W)	(1)0.4K (2)If the motor is abnormally overloaded, it will automatically power off.

Note	High-speed side and low-speed side can be selected. (Please follow the wind direction instructions at the installation location.)
	Please use anchor bolts to fix the main body on the floor.
	This equipment is indoor specification, please do not splash water.



Bug Keeper

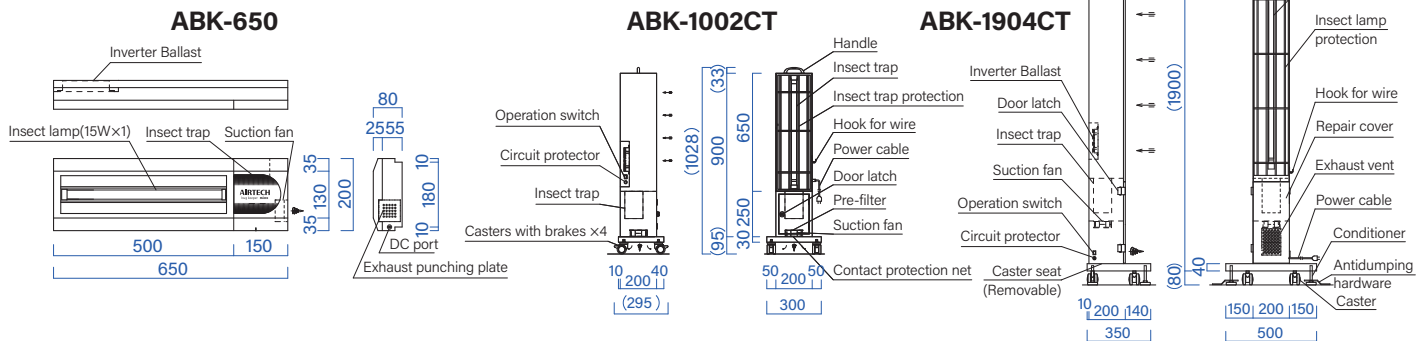
Receiving Area

Bug Keeper (Insect Light Trap) [ABK-1904CT] • **MINI** [ABK-1002CT] • **micro** [ABK-650]

Use an insect lamp and suction fan to collect the insects. Because it does not use drugs and prevents floating, it is effective for insect measures in the food industry.

- The fan sucks in the airflow and collects invading mosquitoes.
- As it does not use pesticides, etc., it will not cause chemical pollution in environment, people and products ensuring safety.
- The insect bag is built-in, and the collected insects cannot be seen from the outside.
- It saves space, it is vertically long and slender for easy storage. * ABK-1904CT · ABK-1002CT
- Comes with casters for easy movement. * ABK-1904CT · ABK-1002CT
- ABK-650 is suitable for wall installation, and saving space.
- The mosquito bag of ABK-650 is disposable. * ABK-1904CT · ABK-1002CT is reusable materials for cleaning.

Model	ABK-1904CT	ABK-1002CT	ABK-650
Insect trap	Polyester mesh	Polyester mesh	Polyester mesh
Air Volume(m ³ /min)	About 2	About 0.9	About 0.23
Electrical	AC110V 1Φ 50/60Hz		
Power Consumption(VA)	About 100	About 50	About 50
Insect lamp	40W x1	20W x1	15W x1
Weight(kg)	About 40	About 15	About 5
Structure	Main body: Baking Enamel Steel Plate		
Accessories	Re-washable bag x3	Re-washable bag x3	Re-washable bag x10

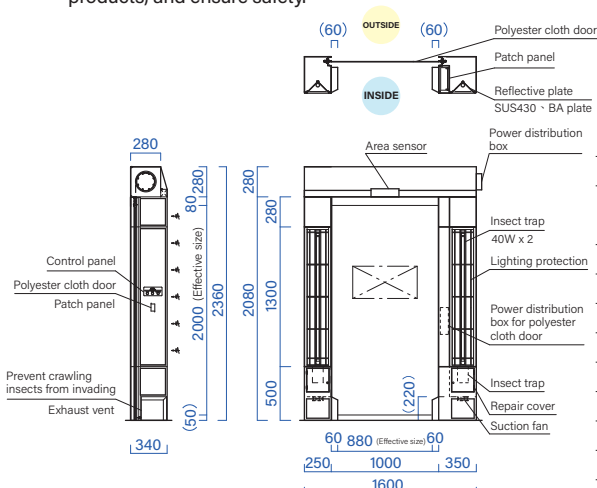


Bug Shield (Door Type Insect Light Trap)

Receiving Area

Utilize Bug Keeper exhaust and fast rolling door combined into one mosquito and insect shield.

- The left and right sides attract insect traps to catch mosquitoes, and the fast-rolling door prevents walking insects from invading.
- Use the inhalation traps located on the left and right corners to absorb air, so that the insects will be sucked into the trap bag after contacting the air.
- Since pesticides are not used, it will not be affected by chemical pollution in environment, personnel products, and ensure safety.



Model	ABS-10201Q
Dust Collection	Insect trap : Polyester mesh
Elements	* $\phi 100 \times H150$ * Countercurrent prevention and treatment.
Air Volume(m ³ /min)	About 3 * Continuous operation day and night
Air Velocity(m/sec)	About 12
Electrical	AC220V 1Φ 50/60Hz
Power Consumption	About 1500 VA * Contains fast shutter door
Insect lamp	40W x2
Weight(kg)	About 200
Structure	Main : Baking Enamel Steel Plate
Accessories	Re-washable insect trap x4

* Installation : Please use anchor bolts to fix the equipment on the floor.



Fast shutter door

Door switch method	Roll-up
Material	Polyester cloth * Shock absorption structure, Insect red
Opening and closing speed (m/s)	Open : 2.0 ~ Close : 0.8
Safety device	Photoelectric sensor

* The switching speed can be adjusted.

Air Curtain (for cold storage)

Cold Storage Area

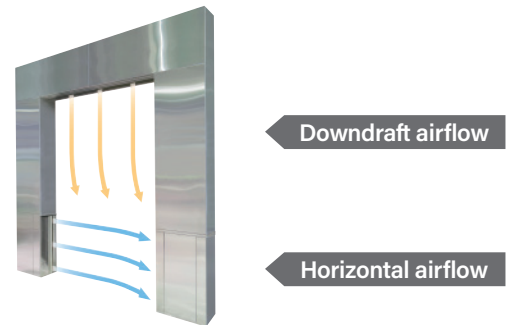
With the air curtain airflow at the entrance of the cold storage, it can prevent cold air leaking from the inside and inhibit the entry of warm air from outside.

- Since the downward airflow blocks the intrusion of hot air, and the horizontal airflow at low places prevents the leakage of cold air, a high insulation efficiency of about 75% can be achieved.
- The ultra-thin DC turbofan with low power consumption can be controlled by a microcomputer to achieve multi-stage variable speed control of the air curtain blowing speed. (Summer/winter mode switching operation, etc.)
- The cold storage reduces maintenance costs such as air conditioning load and defrosting and greatly reduces operating costs.
- Save space, the thickness is only 370mm.
- Since maintenance can be carried out from the inside of the opening through which the equipment passes, it can be embedded in the thermal insulation wall for flexible design and is not controlled by the installation position.

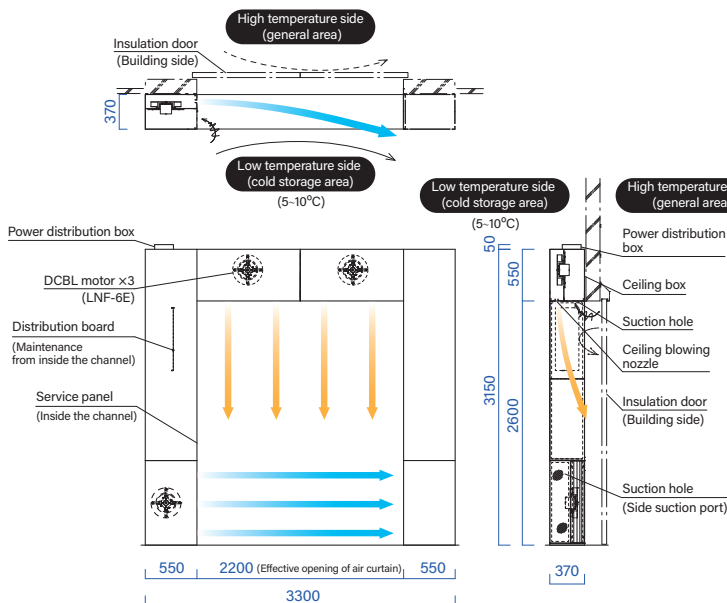
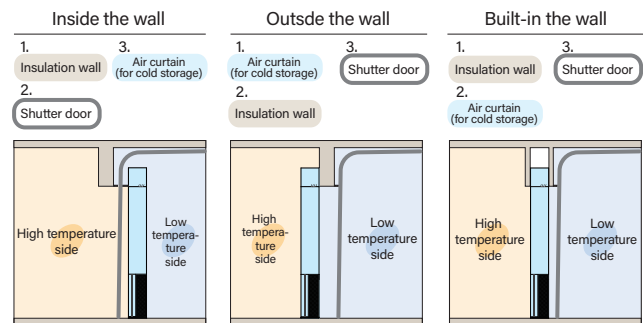
* Patent pending



Air curtain thermal blocking airflow diagram



Air curtain assembling method



Recommend assembling site

- Low temperature logistics warehouses such as food factories, cold storage entrances etc.
- Entrance of harvesting and unloading warehouse.
- Openings with room large temperature differences. (Automatic sliding door can be installed.)
- With fast rolling door, slider, automatic sliding door etc., for automatic interlocking operation.

- * The thermal resistance efficiency is based on the temperature measurement of our laboratory.
- * The standard inlet can provide customized services for (W2200xH2600) flexible design.
- * Buried wall specifications can be inquired separately.
- * Start by interlock signal. (Activated by ON signal when the fast-rolling door is released.)
- * Built-in control panel. (The cover is a fixing screw.)
- * This machine extracts countermeasures, but does not support use under icy conditions.

Model	ACH-22261C
Air Volume(m ³ /min)	Upper airflow : About 29 、 Horizontal airflow : About 13
Electrical	AC220V 3ø 50/60Hz
Power Consumption(VA)	About 400
Weight(kg)	About 180
Structure	Stainless steel (SUS304) 、 lateral : Hair-line surface treatment

Liquid Spray Air Shower

An air shower is a dust removal/disinfection/deodorization device.

- It is a countermeasure against infectious diseases. It concentrates the dust removal/disinfection /deodorization system on one unit and removes bacteria and odors attached to the human clothes. The sterilization time can also be shortened by adding nozzles.
- Dust removal time:15 seconds, sterilization time:8 seconds, sterilization rate is more than 90%.
- A layer of fine mist is made by using the proprietary *Super MicronJet*, which injects sanitary water, removes bacteria and deodorizes.
- To strengthen the management of entrances and exits, it is controlled by a microcomputer in accordance with SOP operations. (Including cleaning and interlocking time setting, etc.) Door lock electromagnetic lock and voice guidance are standard equipment.
- Reduce operating costs by installing power-saving and thin DC turbofans. Power consumption 50% less than before.
- Standard equipped with LED lights, with automatic shutdown function.

* Patent No.5312416 · Patent No.5252737 * Patent pending

- * This device is not a medical device.
- * Sanitary water (weak acid sub-water) is a product verified by the agency performance inspection agency of the Minister of Agriculture, Forestry and Fisheries.
- * Sterilization time: the injection time of sanitary water.
- * Sterilization rate: It is jointly developed by Fujita Engineering and Gunma Industrial Technology Center and depends on eradication test using new test method (patent).
- * SOP: Standard Operating Procedure.

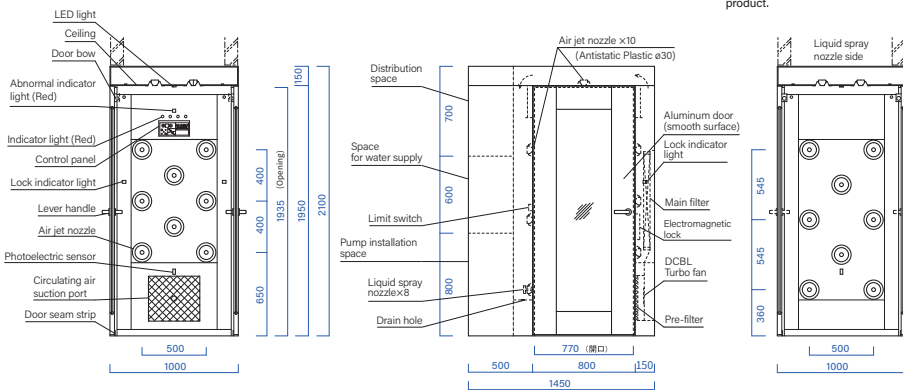
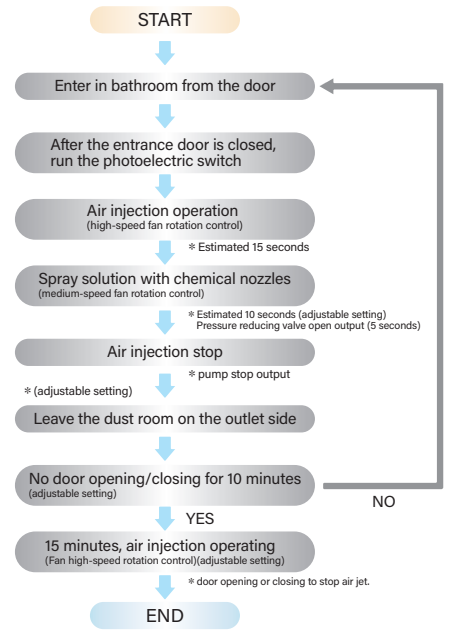


Schematic diagram of spraying



* The picture is a schematic diagram, see the actual product.

Operating procedures



Model	APR-8016ACR-J
Sterilization rate	More than 90%
Particle efficiency	Above 99.99% efficient on 0.3µm particles
Dust collection elements	Main filter : HEPA filter (3A-916150TLAUF) X1 Pre-filter : Nylon (400x350) X1
Air velocity (m ³ /min)	Air jet mode : About 19 (Fan high-speed rotation control) Cyclic mode : About 6 (Fan low-speed rotation control)
Air volume (m/sec)	Air jet mode : About 25 (Fan high-speed rotation control)
Circulation (hour)	Air jet mode : About 730 times/hour (Fan high-speed rotation control) Cyclic mode : About 230 times/hour (Fan low-speed rotation control)
Nozzle	18pcs * Chemical liquid nozzle (SUS) x6 · Other nozzle (Plastic) x12
Air jet start	photoelectric sensor, Limit switch
Noise (dBA)	About 74 * 1 meter from the device
Electrical	For air bath dust : AC220V 3ø 50/60Hz · For pump : AC110V 1ø 50/60Hz
Power consumption (VA)	For Air shower (AC220V) : About 1400 * Leakage current is below 1mA For pump (AC110V) : About 750
Blower	LNF-6E X1
Light	LED light
Operation switch	Automatic air jet (Can be switched manually), Timer, Fan switch, light switch
Weight (kg)	About 450
Structure	Main structure : Baking Enamel Steel Plate , Floor : N/A (Use construction floor) · Inside the dust room : SUS 304 (HL)

Optional items

- Gateway : Automatic door
Semi-automatic door
Fast rolling door
- Floor : With floor Grille
- Nozzle : Spray nozzles on both sides
Axial blowing nozzle (Dual fan mode)
- Other : Hot air specifications

Air Shower (Standard)

Clean air through the HEPA filter to remove dust and hair attached to the work clothes.

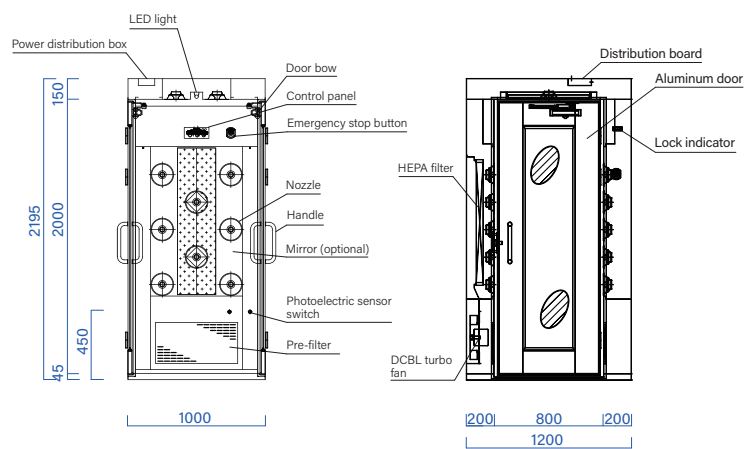
- Adopt high-efficiency and energy-saving DCBL turbo fan.
* Compared with the traditional AC motor Air shower, a significant energy saving is 30%.
- It is controlled by a microcomputer, and the parameter can be set according to the SOP in the factory.
* SOP : Standard Operating Procedure
- There are total 18 sets of nozzles on both sides and on the ceiling.
The ceiling nozzle can effectively remove dust from the head and shoulders.
- Optical cosmetic mirror and language guide.



Standard equipment items

Door lock mechanism / set the time of automatic cleaning function, and the time of automatic closing of LED lighting.

Model	AAS-0810EARC-1
Particle Efficiency	Above 99.99% Efficient On 0.3µm Particles
Dust collection element	Main filter : HEPA filter x1 Pre-filter : Nylon filter x1
Air Volume(m³/min)	Air Jet-About 17 / Recirculation Air-About 6
Air Velocity(m/s)	Air Jet-About 23
Air change(time/hour)	Air Jet-About 637 / Recirculation Air-About 225
Nozzle Qty.	18pcs
Inductive Control	Photoelectric switch
Circulating air flow	Ceiling and blow-out nozzles on both sides
Noise(dBA)	About 70 * 1 meter from the device
Electrical	AC220V 3ø 50/60Hz
Power Consumption(VA)	Air Jet-About 765 / Recirculation Air-About 275
Blower	LNF-6E x1 * DCBL turbo fan
Light	10W x1 * LED light
Weight(kg)	About 300
Structure	Main body : Baking Enamel Steel Plate or SUS 304



Shower Pass box

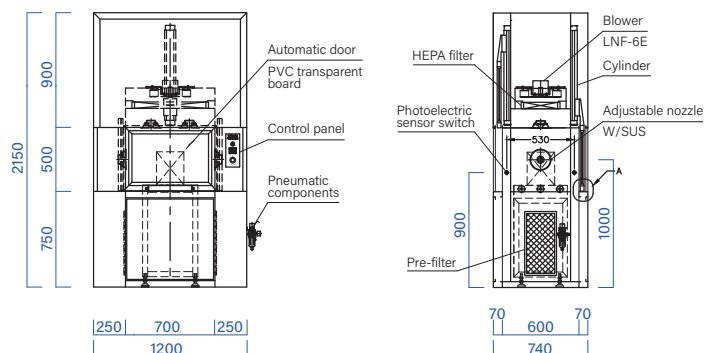
Used in the dust bath channel for transmission in the clean room. HEPA filter effectively cleans incoming goods to keep the room clean.

Appearance photos, size, drawings, and specifications are reference cases. We will customize according to the customer's equipment conditions.

- Using DC brushless motor.
- There are low dust roller conveyor models.
- Can be converted to the conveyor belt.
- With interlocking mechanism.



Model	APB-SA-0705EAC-07
Particle Efficiency	Above 99.99% Efficient On 0.3µm Particles
Dust collection elements	Main filter : HEPA filter (305x600x50t) x1 Pre-filter : Non-woven filterx2
Air Volume(m³/min)	Air Jet-About 4
Air Velocity(m/sec)	Air Jet-About 23
Nozzle	According to customized design
Inductive control	According to customized needs
Electrical	AC220V 3ø /60Hz
Power Consumption(VA)	Air Jet-About 800
Blower	LNF6E(DCBL-motor) x1
Operation switch	Control panel / Emergency stop button
Weight(kg)	About 1350
Structure	Main body : Baking Enamel Steel Plate or SUS 304



Self Assembly Air Shower

Preparation Area

Packing · Finished product Area

Customized fast delivery, simple assembly, easy to disassemble and move. The front height can be adjusted flexibly and can be installed according to the opening of the existing entrance.

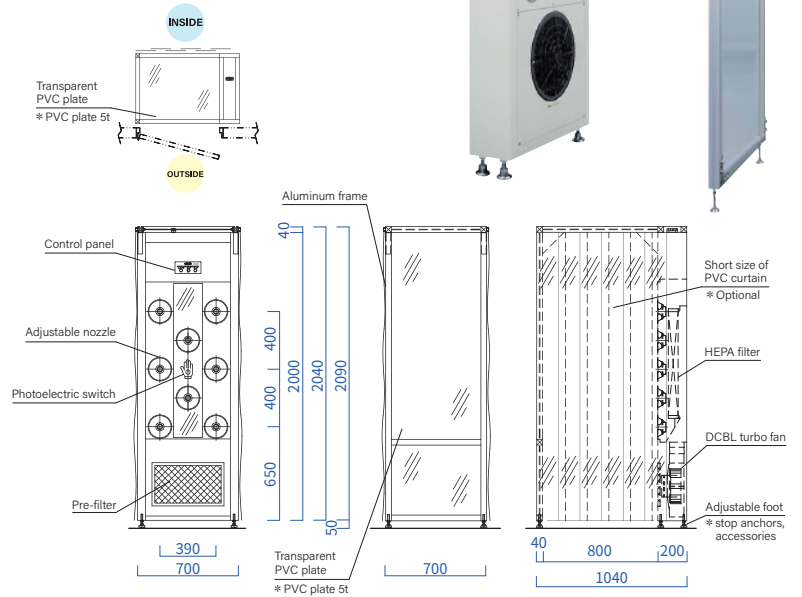
Fast delivery **Simple assembly** **Flexibility** **Low price**

- Assembling by 3 people can be completed within an hour.
- When the installation is in the contact with the existing entrance (door opening on the side), it can be corresponded to the opening size range of 800-960mm. The height dimension in the case of internal openings: in 2010mm, and in the case of external openings: within 2090mm.
- Standardization of parts achieves low prices.
- Optional strip curtain.



Model	SS-AS0810BR-0.7
Particle Efficiency	Above 99.99% Efficient On 0.3µm Particles
Dust collection	Main filter : HEPA filter (762x500x50t) x1pcs
elements	Pre-filter : Non-woven filter
Air Volume(m ³ /min)	Air Jet-About 8.5 Recirculation Air-About 4
Air Velocity(m/sec)	Air Jet-About 25
Nozzle	8pcs SUS 304
Inductive control	After raising your hand to sense the photoelectric sensor.
Electrical	AC220V 3ø 60Hz
Power Consumption(VA)	Air Jet-About 1020 Recirculation Air-About 290
Blower	LNF-6D x1 * DCBL turbo fan
Weight(kg)	About 200
Structure	Main body : Baking Enamel Steel Plate surface treatment Frame : aluminum Floor : N/A, ceiling : Side panel : PVC plate 5t

* Circulating fan is activated by ON-OFF switch.



Clean Hand Dryer

Preparation Area

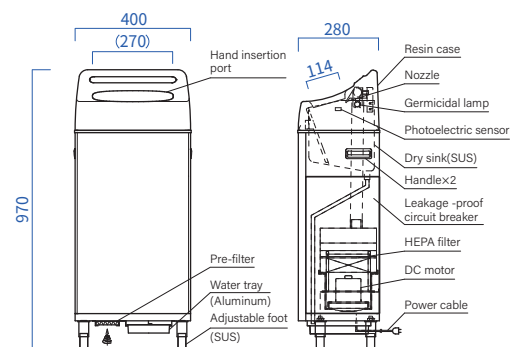
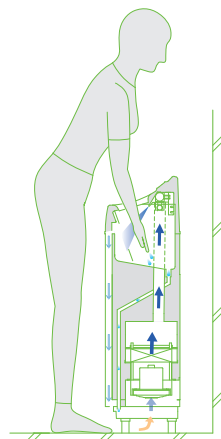
Original designed nozzle, high-efficiency DC motor, achieving high wind speed of about 190m/s.

There is also AHW -05F type, with hand washing and drying functions.

- Improves drying performance: high wind speed of 190m/s achieves short-term drying and prevents water droplets from scattering.
- Improve the cleanliness in the drying tank: reduce the non-curved surface of the water tank and improve the cleaning performance.
- Improve maintainability: The strainer and drain pan are installed at the bottom for easy maintenance (simple front drawer type)
- The standard equipment is equipped with a germicidal lamp to prevent the growth of bacteria and automatically close when the air is sprayed.



Model	AHD-6
Particle Efficiency	Above 99.99% Efficient On 0.3µm Particles
Dust collection elements	Main filter : HEPA filter Pre-filter : Non-woven filter
Air Volume(m ³ /min)	About 1.2 * Pressure conversion value
Air Velocity(m/sec)	About 190 * Pressure conversion value
Noise(dBA)	About 80
Electrical	AC110V 1ø 50/60Hz
Power consumption(VA)	About 1350
Weight(kg)	About 30
Structure	Main body : steel plate baking varnish Tank shell : antibacterial ABS resin Drying sink : SUS 304(HL)



Hand Washer Dryer

Preparation Area

Fully automatic, high-efficiency hand washing and drying machine.

- As long as you reach in, you can wash and dry your hands.
- Built-in high efficiency HEPA filter.
- Using microcomputer control, the program can be modified according to customer requirements.
- With the germicidal lamp for long-term sterilization to prevent the reproduction of miscellaneous bacteria.

Model	AHD-30DW	AHD-145DW-DC
Particle Efficiency	Above 99.99% Efficient On 0.3µm Particles	
Dust collection elements	HEPA filter / Non-woven filter	HEPA filter
Air Volume (CMM)	1.7	1.67
Air Velocity (m/s)	30	145
Power Consumption (VA)	About 1200	1350
Electrical	AC110/220V 1ø 60Hz	AC110V 1ø 50/60Hz
Dimension (WxDxH)(mm)	520x550x1700	620x505x1103
Structure	Main body : Electrolytic galvanized steel sheet/ stainless steel	Main body : Baking Enamel Steel Plate
	Internal : Stainless steel	Sink : SUS 304
Others	The germicidal lamp will turn on when the sliding door is closed.(145DW)	



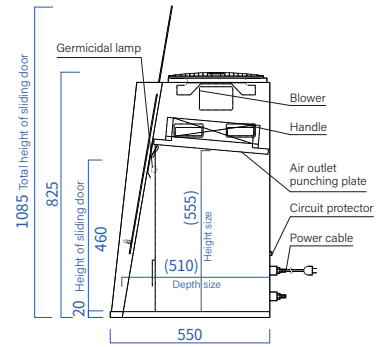
Clean Bench

Quality Inspection Area

Power-saving, high-performance desktop Clean Bench.

- Adopt DC brushless motor and LED lights, which can save power and improve efficiency (power consumption: can save more than 30%).
- The slightly inclined sliding door design free up space, and the operation panel is placed on the upper right side, which carefully considers the user's identification and operation convenience.
- The germicidal lamp is equipped as standard, and there is also an interlocking system. When the sliding door is completely closed, the germicidal lamp will automatically turn on.

Model	KVM-757	KVM-1007
Cleanliness	ISO Class 5 (Class 100)	
Particle Efficiency	Above 99.99% Efficient On 0.3µm Particles	
Dust collection elements	Main : HEPA filter · Pre-filter : Round nylon filter	
Air Volume(m³/min)	About 5.0	About 8.0
Air Velocity(m/sec)	About 0.32	About 0.38
Blower	1	2
Electrical	AC110V 1ø 50/60Hz	
Power consumption(VA)	About 60	About 95
Weight(kg)	About 50	About 60
Structure	Main body · backboard : Baking Enamel Steel Plate · Workbench:SUS 304(HL)	
Other	The germicidal lamp will turn on when the sliding door is closed.	



Portable Clean Bench

Pre-processing Area

Small · light and portable dust-free clean bench

- The uses of energy-saving and efficient DC brushless DC motors can reduce power consumption and greatly save power consumption. (80% lower than the previous model)
- It is lighter and easier to carry than the previous model. (1.5kg less than the previous model)
- AC adaptor is included. In places where there is no power supply (such as outdoors), you can connect to mobile power supply (optional items).
- The assemble air deflector can be stored on the front of the device, which is easy to carry and does not take up space.

Model	APC-43	APC-4
Cleanliness	ISO Class 5 (Class 100)	
Particle Efficiency	Above 99.99% Efficient On 0.3µm Particles	
Main filter	HEPA filter	
Pre-filter	Synthetic resin filter	Non-woven filter
Air Volume(m³/min)	About 3.3	About 4
Air Velocity(m/sec)	About 0.35	About 0.35
Electrical	DC24V	AC 110V 1ø 60Hz
Power consumption(VA)	About 20	About 80
Weight(kg)	About 12.5	
Structure	Body/punching plate: Baking Enamel Steel Plate	
	(white gray semi -gloss ATC-7)	Body-Baking Enamel Steel Plate (Pearl white)
	Front plate : scratch -resistant PC plate 5mm	Front plate : scratch -resistant PC plate 5mm
	Slide plate : PET material 5mm	Side plate : scratch -resistant PC plate 5mm



Clean Booth

Pre-processing Area

Packing · Finished product Area

Fast delivery, low price, fast assembly, suitable for pharmaceutical, chemical and biochemical industries, processing formula and sample testing.

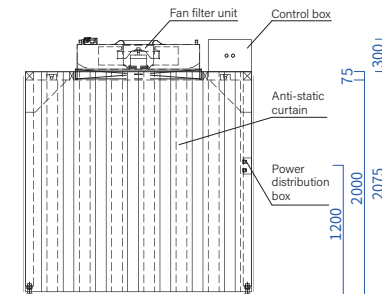
Fast delivery

Simple assembly

Modularization

- The structure is stable, beautiful, no rust, no dust.
- Anti-static vertical curtain: good anti-static effect, high transparency, good flexibility, no deformation, not easy to aging.
- The interior uses a special lamp for clean room, which does not produce dust.

Model	ACB-021030TF-1K
Cleanliness	ISO Class 6 (Class 1000)
Air Volume(cmm)	About 28 (intermediate speed)
Clean unit	FFU-T15P (HEPA 0.3µm 99.99%)
Air changes(time/hour)	About 133 (intermediate speed)
Electrical	AC220V 1ø 50/60Hz
Power consumption(VA)	About 750
Weight(kg)	About 200
DimensionWxDxH(mm)	2100x3000x2375
Structure	Aluminum extrusion & Baking Enamel Steel Plate



EC-MAC (AC type)

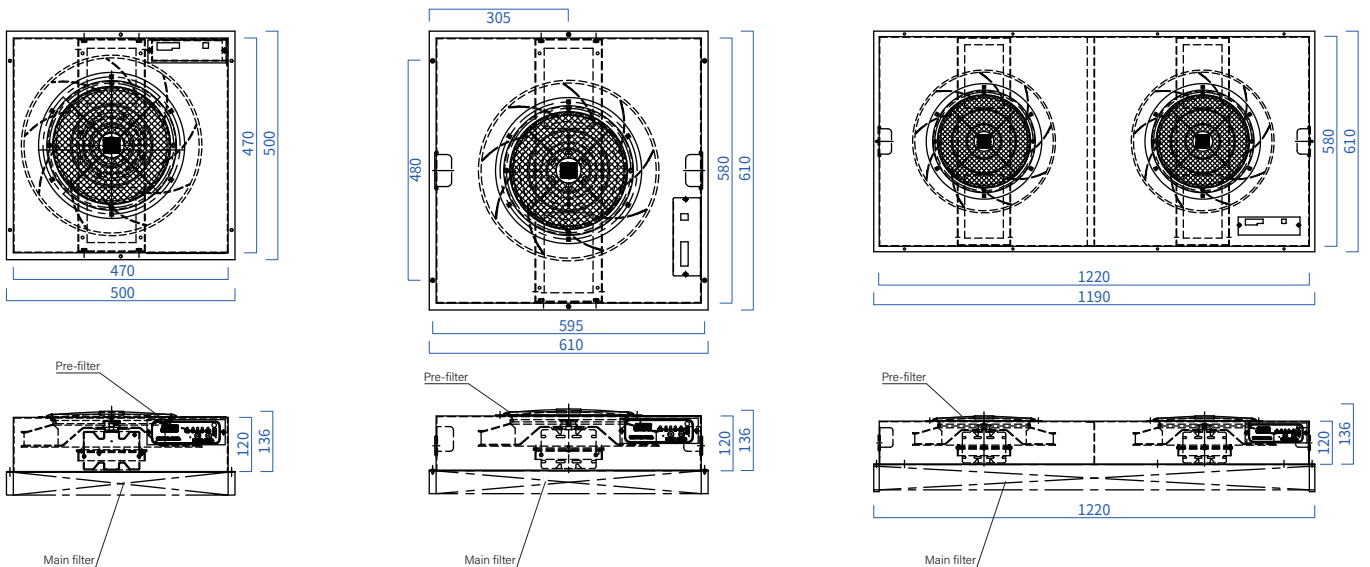
Packing · Finished product Area

Small HEPA filter clean unit, made of stainless steel, can reduce cost and multi-functional uses.

- Above 99.99% efficient on 0.3µm particles · Cleanliness is ISO Class 6 (Class 1000)
- Optional ULPA Filter · Above 99.999% efficient on 0.1µm particles.



With low power consumption and energy-saving DC specifications (energy saving type).



Note: This product is a standard model, and special specifications are also customized.

Model	MAC-EC51E	MAC-EC101E	MAC-EC201E
Particle Efficiency	HEPA: Above 99.99% Efficient On 0.3µm Particles / ULPA : Above 99.999% Efficient On 0.1µm Particles	HEPA filter (610x610x50t) / ULPA filter (610x610x65t)	HEPA filter (610x1220x50t) / ULPA filter (610x1220x65t)
Main filter	HEPA filter (500x500x50t) / ULPA filter (500x500x65t)	HEPA filter (610x610x50t) / ULPA filter (610x610x65t)	HEPA filter (610x1220x50t) / ULPA filter (610x1220x65t)
Air Volume(m ³ /min)	Hi 7.4 / Mid 6.2 / Lo 5.3	Hi 9.6 / Mid 8.6 / Lo 6.9	Hi 20 / Mid 16 / Lo 13
Average blowing air velocity(m/s)	Hi 0.56 / Mid 0.47 / Lo 0.4	Hi 0.47 / Mid 0.42 / Lo 0.34	Hi 0.48 / Mid 0.38 / Lo 0.31
Noise(dBA)	Hi 62 / Mid 59 / Lo 58	Hi 58 / Mid 57 / Lo 56	Hi 60 / Mid 59 / Lo 58
Electrical	AC110V 1ø 50/60Hz / AC220V 1ø 50/60Hz	Hi 170 / Mid 130 / Lo 110	Hi 340 / Mid 260 / Lo 220
Power consumption(VA)	Hi 170 / Mid 130 / Lo 110	Hi 170 / Mid 130 / Lo 110	Hi 340 / Mid 260 / Lo 220
Weight(kg)	About 16	About 17	About 31
Dimension : (mm)	W500 x D500 x H136	W610 x D610 x H136	W610 x D1220 x H136
Structure	Baking Enamel Steel Plate / SUS 430		
Operation indicator	Red high-brightness LED * Luminous lampshade		

* The noise value is measured in an anechoic chamber 1 meter on the blowing side. (Noise levels in general rooms are different).

Packaged Type Clean Unit

Pre-processing Area

You only need to connect the power supply to purify the indoor air.

- Through the adjustment of the elevation angle of the blowing blade, it can be configured according to the direction of the circulating air flow without causing any discomfort to the human body.
- Inhale air from below and from the side and circulate and purify the indoor air. In addition, pipes can be connected in series with the indoor air inlet to the ideal position, or the air-conditioning box can be connected in series to make the room a positive pressure clean room.
- PAU-80G is a wind speed switchable type.



Model	PAU-40G	PAU-60G	PAU-80G
Particle Efficiency	Above 99.99% Efficient On 0.3µm Particles		
Dust collection Elements	Main filter : HEPA filter · Pre-filter : Non-woven filter		
Air Volume(CMM)	About 40 ±15%	About 60	Hi : About 80 · Lo : About 60
Noise(dBA)	About 63	About 63	About 63
Electrical	AC110V 1ø 60Hz	AC220V 3ø 60Hz	
Power consumption(VA)	About 480	About 1200	Hi : About 1000 · Lo : About 500
Structure	Coldrolled Steel with Baked Painting		

* PAU-80 usually used in inverter storage 50/60Hz *

Clean Locker/Garment Stocker

Preparation Area

Workers entering in factory area are prone to contamination with dust and bacteria. Therefore, it is recommended to store dust-free clothing with special equipment. It is equipped with a HEPA filter, which can clean the cabinet space and ensure that the dust-free clothing is stored in a clean environment.

- Can be selected according to cleanliness and storage capacity. Suitable for individuals and groups, single and double key types can be selected, in the case of many people, it is an open design.



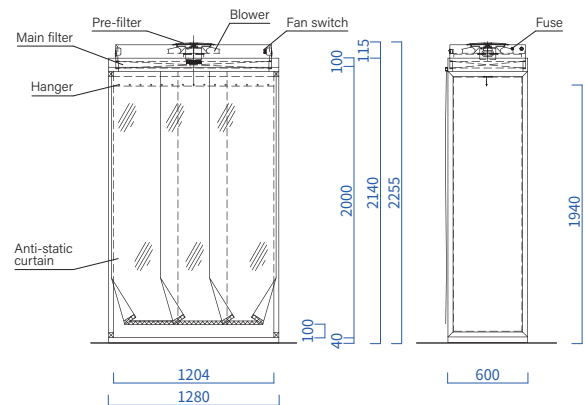
Clean Locker (Germicidal lamp type)

Model	ACL-1MU1	ACL-2MU1
Cleanliness	ISO Class7(Class 10000)	
Particle Efficiency	Above 99.99% Efficient On 0.3µm Particles	
Dust collection elements	Main filter : HEPA filter · Pre-filter : Non-woven filter	
Air Volume(m³/min)	About 1.0	About 2.0
FFU(unit)	(MAC-15)x1	(MAC-15)x2
Electrical	AC110V 1ø 50/60Hz	
Power consumption(VA)	About 30	About 60
Weight(kg)	About 30	About 70
Dimension(mm)	W455 x D515 x H1920	W608 x D515 x H1920
Structure	Body : Baking Enamel Steel Plate / The filter unit is made of : antistatic ABS resin	

Garment Stocker

Model	AGS-C-0600P	AGS-C-1200R
Cleanliness	ISO Class7(Class 10000)	ISO Class5(Class 100)
Particle Efficiency	Above 99.99% Efficient On 0.3µm Particles	
Dust collection elements	Main filter : HEPA filter · Pre-filter : Non-woven filter	
Air Volume(m³/min)	About 1	About 10
FFU(unit)	MAC-10	EC-MAC
Electrical	AC110V 1ø 50/60Hz	
Power consumption(VA)	About 45	About 115
Weight(kg)	About 60	About 150
Dimension(mm)	W600x D515 x H1940	W1280 x D600 x H2255
Structure	Baking Enamel Steel Plate	

* The processing air volume is the value in the large air volume mode. * The filter unit is made of antistatic ABS resin.



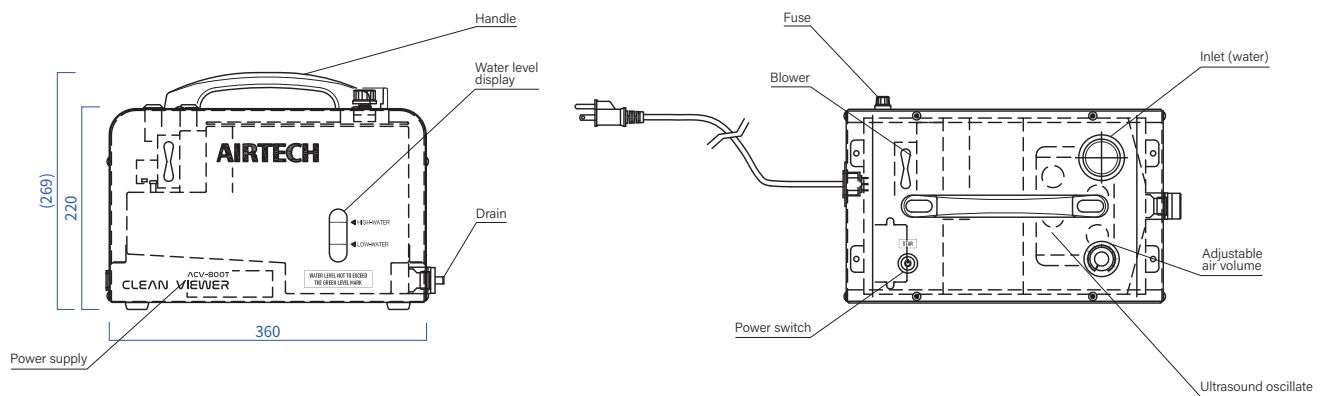
AGS-C-1200R

Clean Viewer

Suitable for airflow inspection in process equipment and clean rooms.

- Approximately 5 liters of smoke are produced per hour, and the visibility of the smoke is improved.
- The air volume of the smoke outlet can be adjusted according to different air volume requirements.
- High value standard equipment, suitable for airflow inspection in clean rooms.

Model	ACV-600T	ACV-800T
Dimension(WxDxH)(mm)	220x360x220	250x360x220
Watertank capacity(ml)	3500(Pour water2275)	4000(Pour water2800)
Vapor volume(ml/hr)	Main filter : HEPA filter / Pre-filter : Non-woven filter	
Usage time(min)	33	46-49
Air Volume(CMM)	0.4	0.59
Weight(kg)	Without water : 8.0 Full water : 11.5	Without water : 9.5 Full water : 13.5
Application field	Airflow observation in process equipment	Process equipment and clean room environment airflow observation
Power & power consumption	AC100V-240V(225VA)	AC100V-240V(300VA)
Standard accessories	tube diffuser ϕ 42.2mm *150cm*1	tube diffuser ϕ 60.3mm *300cm*1
	extension tube L=50cm *1pc	conical tube L=15cm *1pc
	single-perforation tube L=50cm *1pc	perforated tube L=60cm *1 pc
	perforated tube L=50cm *1 pc	
Structure	SUS304	

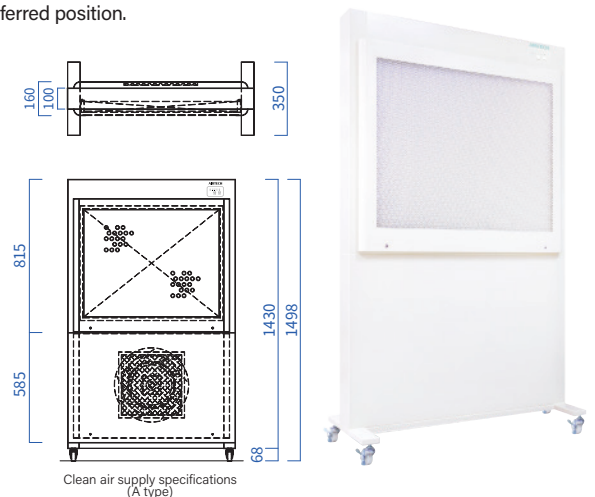


Health Carer

Ultra-thin air clean wall developed by our company.

- Air volume adjustment can be set to high, medium and low three-stage speed.
- The casters support smooth movement and easy installation, and can be fixed in a preferred position.

Model	AHC-890 (A/B)Clean air supply			AHC-890 (C/D)Pollution removal		
Particle Efficiency	Above 99.99% Efficient On 0.3 μ m Particle					
Dust collection elements	Main filter : HEPA filter · Pre-filter : Non-woven filter					
Electrical	AC110V/220V 1 ϕ 50/60Hz					
Weight(kg)	About 65					
Air Velocity(m/s)	Hi	Mid	Lo	Hi	Mid	Lo
	0.28	0.23	0.14	0.30	0.23	0.11
Air Volume(m ³ /min)	Hi	Mid	Lo	Hi	Mid	Lo
	6.89	5.66	3.44	7.38	5.66	2.70
Color	Ivory					
Power consumption(VA)	Power consumption at high speed:70					



HEPA/ULPA filter

- HEPA: Above 99.99% Efficient On 0.3µm Particle.
- Non partition design/ The outer frame is aluminum anodized.
- Filter material: glass fiber paper.

- ULPA: Above 99.999% Efficient On 0.1µm Particle.
- Maximum use temperature : 80°C
- Maximum operating humidity : 100%RH

3A(HEPA)

Model	Airflow Rate (m ³ /min)	Dimension (mm)			Weight (kg)
		L	W	T	
3A-03003050	3.6	305	305	50	1.2
3A-06106150	16.6	610	610	50	2.8
3A-06107650	20.9	610	760	50	3.5
3A-06109150	25.4	610	915	50	4.0
3A-05711750	30.5	570	1170	50	4.5
3A-06112250	34.3	610	1220	50	5.0
3A-08711750	47.9	870	1170	50	6.5
3A-11711750	65.2	1170	1170	50	8.5

3AL(HEPA)

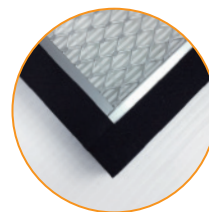
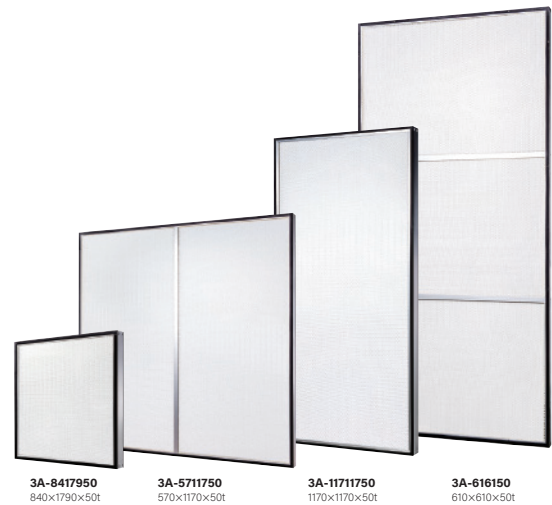
Model	Airflow Rate (m ³ /min)	Dimension (mm)			Weight (kg)
		L	W	T	
3AL-03003065	5.0	305	305	65	1.5
3AL-06106165	23.4	610	610	65	3.5
3AL-06107665	29.6	610	760	65	4.0
3AL-06109165	35.9	610	915	65	4.5
3AL-05711765	43.1	570	1170	65	5.5
3AL-06112265	48.5	610	1220	65	6.0
3AL-08711765	67.6	870	1170	65	8.0
3AL-11711765	92.0	1170	1170	65	11.0

1A(ULPA)

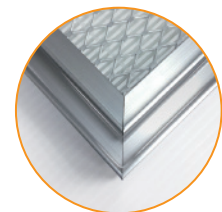
Model	Airflow Rate (m ³ /min)	Dimension (mm)			Weight (kg)
		L	W	T	
1A-03003050	2.1	305	305	50	1.3
1A-06106150	9.7	610	610	50	2.9
1A-06107650	12.3	610	760	50	3.6
1A-06109150	14.9	610	915	50	4.1
1A-05711750	17.9	570	1170	50	4.7
1A-06112250	20.2	610	1220	50	5.2
1A-08711750	28.1	870	1170	50	6.7
1A-11711750	38.3	1170	1170	50	8.9

1AL(ULPA)

Model	Airflow Rate (m ³ /min)	Dimension (mm)			Weight (kg)
		L	W	T	
1AL-03003065	3.6	305	305	65	1.6
1AL-06106165	16.6	610	610	65	3.6
1AL-06107665	20.9	610	760	65	4.4
1AL-06109165	25.4	610	915	65	4.7
1AL-05711765	30.5	570	1170	65	6.0
1AL-06112265	34.3	610	1220	65	7.0
1AL-08711765	47.9	870	1170	65	9.0
1AL-11711765	65.2	1170	1170	65	11.5



Gasket Type



GEL Type

AIRTECH SYSTEM CO., LTD.

<http://www.air-tech.com.tw>

Plant 1

No.58-1, Guangfu Rd., Hsinchu Industrial Park, Hsinchu County 303036, Taiwan

TEL 03-610-5668

FAX 03-597-2734

E-mail: info@air-tech.com.tw

Plant 2

No.84, Guangfu N. Rd., Hsinchu IndustrialPark, Hsinchu County 303036, Taiwan

FAX 03-597-9409

Safety precautions

Before using this product, please read the instruction manual carefully.

- For inquiries about the contents of the catalog, please contact our customer service staff.
- If there are any specifications changed in the catalog, we will not notify.
- Depending on the printing conditions, the color of the product photo may be slightly different from the actual color.