

# AIRTECH

# PACKAGED EXHAUST UNIT

# 成套式排氣單元

Ultra-quiet blower  
It purifies the air and it also maintains the negative pressure

PEU-20

## 1 Purify the air with the help of HEPA

Equipped with a high performance of HEPA filter, which can filter  $\geq 0.3 \mu\text{m}$  suspended particles with an efficiency of 99.99%.

## 2 Japanese original blower

High-quality, ultra-quiet Japanese original imported blower, which minimizes interference components.

## 3 Round airtight hand control damper

Set up the manual exhaust damper to realize negative pressure and disinfection inside the space.

## 4 Pre-filter

Pre-filter helps to remove the larger pollutants, and then carry out the subsequent of the second layer of filtration.

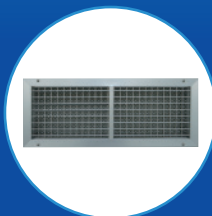
## 5 Differential pressure gauge (exhaust)

Use to measure the tiny pressure differences for the different pressure sources.



### Control panel

Set high-speed/stop/low-speed to adjust the operating speed section, and detect the pressure changes at any time with a differential pressure gauge.



### Aluminum grille, HEPA filter

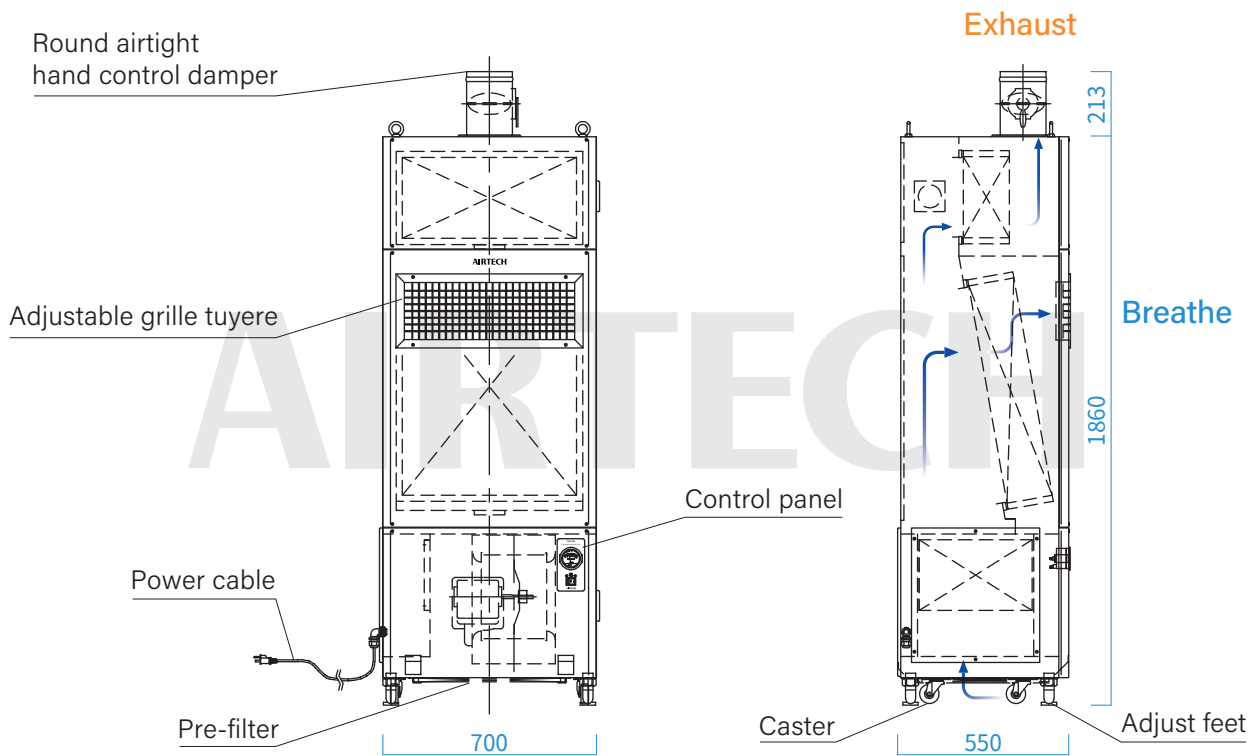
The durable aluminum grille, it can adjust the wind direction. Use HEPA filter to filter pollutants and provide clean air to the room.



### Airtight hand control damper

Adjust the exhaust damper switch according to the requirements of the indoor environment to maintain the clean indoor air and to maintain a negative pressure state.

## Drawing



## Specification

Model	PEU-20	
Particle Efficiency	≥99.99% at 0.3μm	
Dust collection elements	Pre-filter : Non-woven filter Main filter : HEPA filter	
Volume setting	Hi	Lo
Air Volume(CMM)	Air supply : About 16 / Displacement : About 4	Air supply : About 10 / Displacement : About 3
Electrical	AC 110V 1Φ 50/60Hz	
Power Consumption	About 350VA	
Structure	Cold-rolled steel with bake painting	
Color	Pearl white	
Weight(kg)	120	