

AIRTECH

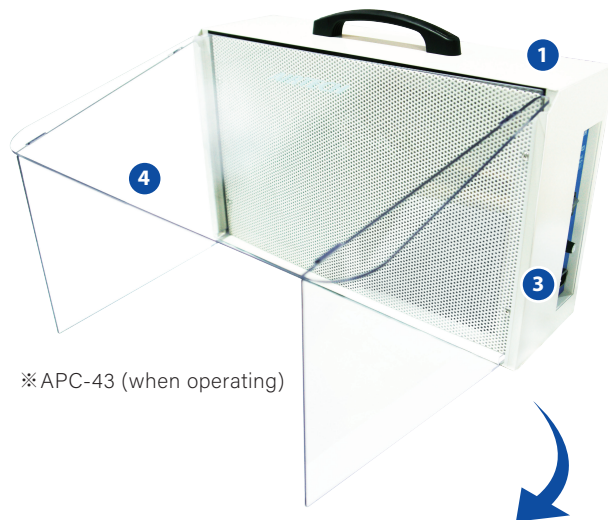
可攜式無塵工作桌 CLEAN BENCH

Small · light · dust-free work desk

APC-43

1 Adopt energy saving and efficient DC brushless motor

The high-efficiency DC brushless motor can reduce power consumption and greatly save power consumption (56% lower than the previous generation).



3 Built-in transformer

AC 100~240V 1Φ50/60Hz
it can be directly connected to power supply.

2 Lightweight

It is lighter than the previous model and easy to carry (40% less than the previous model).



4 Easy to assemble and store

The used air deflector can be stored in the front of the device, which is easy to carry and does not take space.



Control panel

Operation switch, fuse cartridge, power hole, simple and intuitive operation configuration.



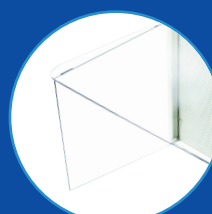
Non-slip handle design

Long handle, no-slip design, and more stable in use.



HEPA filter

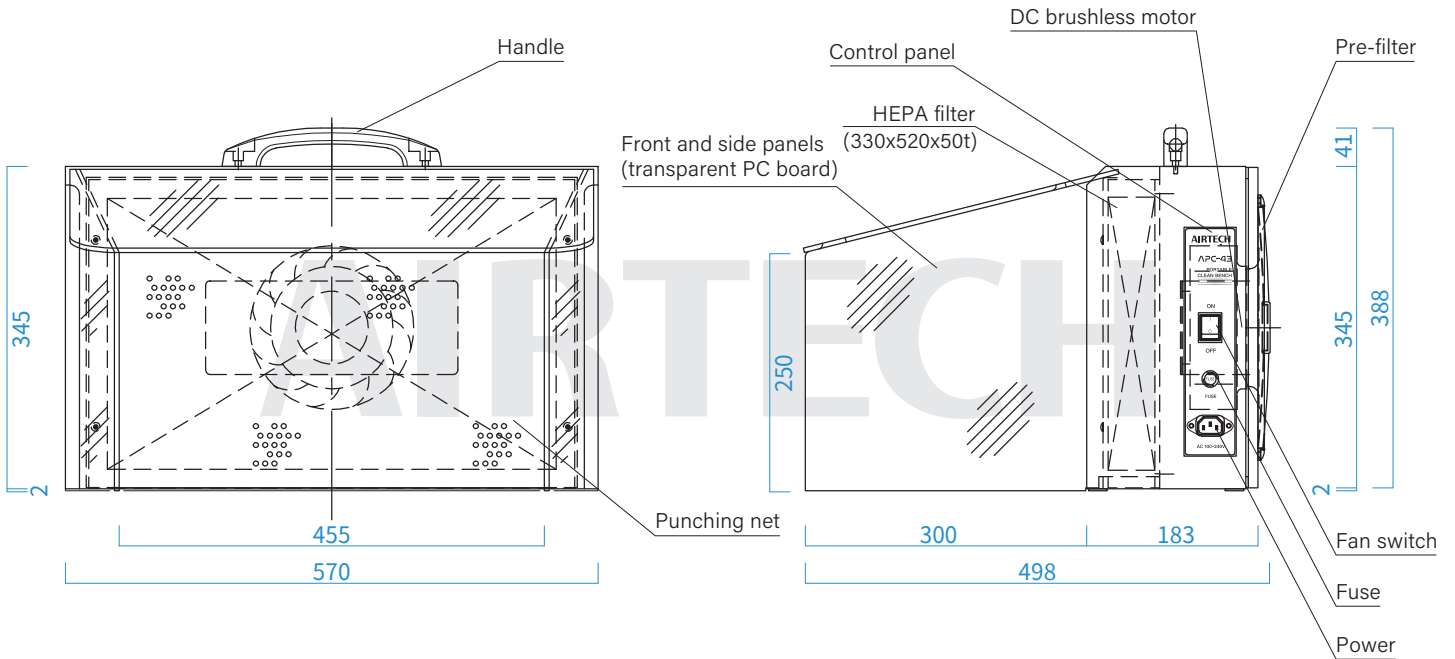
Primary nylon filter with HEPA high-efficiency filter to effectively filter the suspended particles.



Transparent PC partition

Quickly self-assemble, storage and high light transmittance, good practicability.

Drawing



Specification

Model	APC-43
Cleanliness	ISO Class 5 (Class 100 <US. FED. STD. 209D>)
Particle Efficiency	Above 99.99% Efficient On 0.3 μ m Particles
Dust Collection	Pre-filter : Nylon filter \varnothing 284 x1EA Main filter : HEPA filter 330x520x50t 1pc
Air Volume(CMM)	About 3.3
Air Velocity(m/s)	About 0.35
Structure	Cold-rolled steel with bake painting
Electrical	AC 100~240V 1 Φ 50/60Hz
Blower	DC Blower x 1 SET (made in Japan)
Power Consumption(W)	About 22
Weight(kg)	About 12.5